

ES

1

2

3

**Drag the correct word(s) from the list to complete the sentence.**

**shuttle**

**spacecraft**

**transmit**

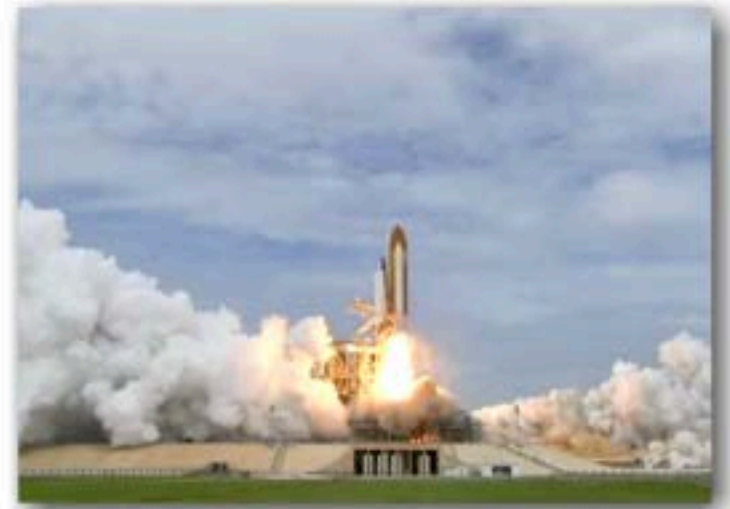


- a) There is a huge blanket of gas surrounding the Earth called a(n) atmosphere. It protects us from the Sun's radiation and bits of rock and metal hurling past in outer space.
- b) Marco and Henry were playing Capture the Flag in their neighborhood. Marco used his walkie-talkie to \_\_\_\_\_ a signal to his teammate around the corner.
- c) The massive \_\_\_\_\_ looked as light as a balloon as it approached Mars for a landing.



ES

You have likely seen images of a space shuttle getting ready for take-off and then blasting off into outer space. That object that looks like a large airplane standing up is called a **space shuttle**. A space shuttle is just one example of a spacecraft. A **spacecraft** is a device that is designed and created to travel around in outer space. They can be **manned** (people on board) or **unmanned** (no people on board).



(touch the image to enlarge)

(continue)

Reset

# Build Spacecrafts

## SPACECRAFTS

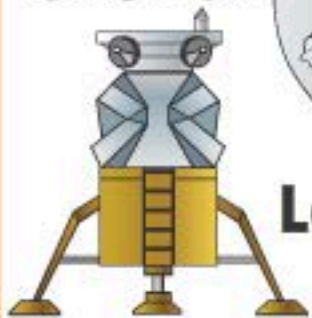
Flyby



Orbiter



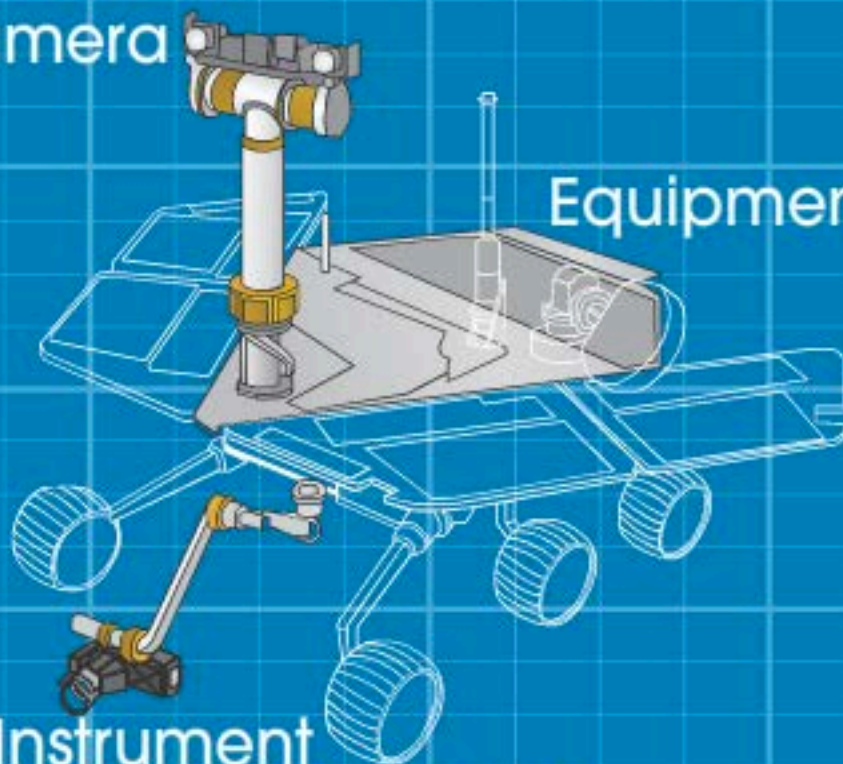
Lander



Satellite



Camera



Equipment Dock

Instrument  
Deployment Device

## PARTS



Menu

Space Travel & Technology



Space Travel & Technology



Space Travel & Technology



Space Travel & Technology



Space Travel & Technology



Space Travel & Technology



Space Travel & Technology



Space Travel & Technology



ES

?

Reset

