





Vocabulary - touch the card to reveal the definition



Launch
To set off
from its original
position



Assemble
To put or
gather together
in one place



Microgravity
Very weak gravity

Crew

Monitoring

Disintegrates



Reading Passage

Space Travel & Technology Living in Space



In November 1998, the first part of the **International Space Station** (ISS) was launched into space. It was the control module, **Zarya**. Many more parts continued to be **launched** and attached for the next eight years. Presently, the ISS orbits around Earth sixteen times a day at 17,000 miles per hour (about 27,360 kilometers per hour). That means that the astronauts on board get to watch sixteen sunrises and sunsets each day!



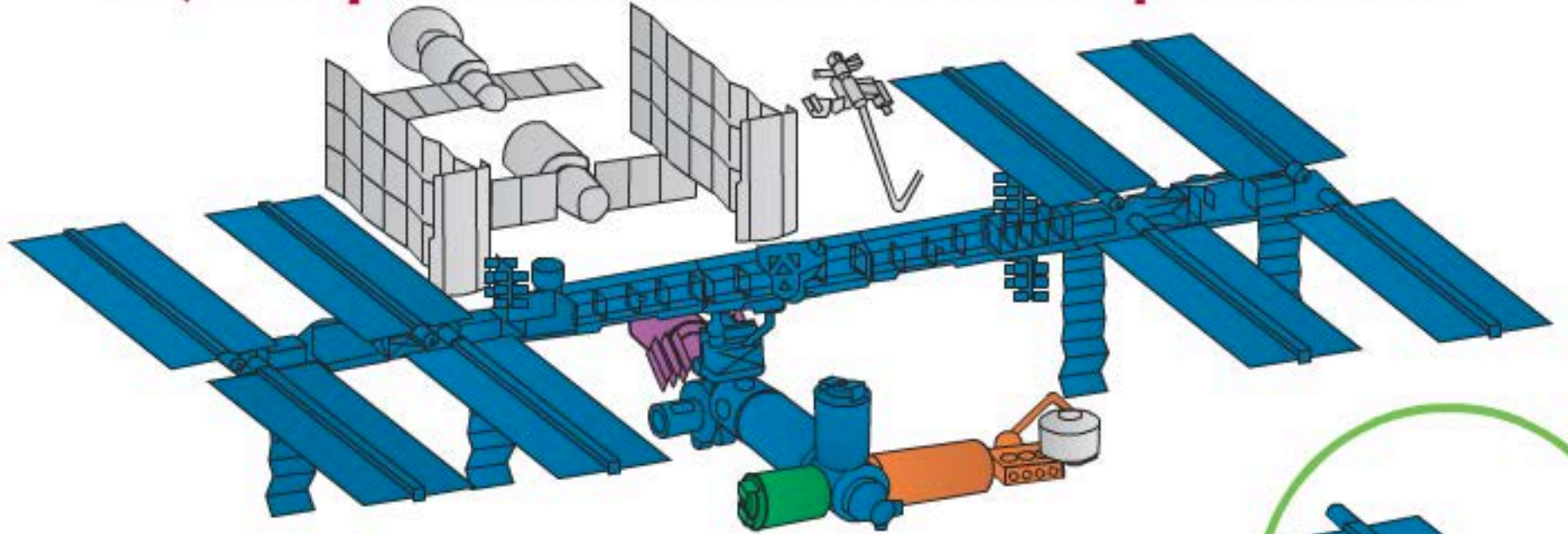
(touch the image to enlarge)

The ISS looks like a small toy in outer space, but it is quite large. It weighs almost 500,000 pounds (226,796 kilograms), and is bigger than a football field.

[\(continue\)](#)

[Reset](#)

Key Components of the International Space Station



● United States

● Canada

● Japan

● Russia

● Europe

Photovoltaic Arrays

Solar panels attached to the ISS that provide electrical power to the station.